

RAIL SPOT

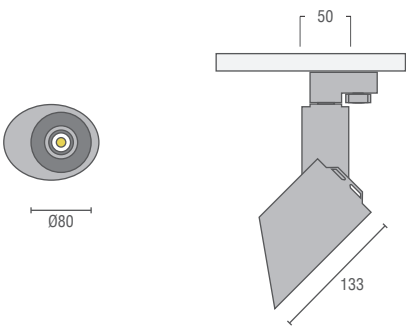
IP20 IP44 ADJ.  LED 0-10V DIM 



Adjustable Spot light
 Mounting method : Track mounted
 Material : die cast aluminium housing
 Standard finishes : matt white / matt black
 IP Rating : IP20 / IP44
 Accessories : clear glass / frosted glass / honeycomb louvre
 Customized RAL upon request.
 Dimmable driver available upon request.

RAILSPOT80

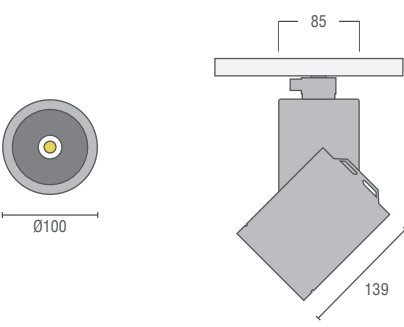
Adjustable.
 Completed with Lumileds replaceable led module.
 Remote led driver.
 Dimension in mm : Ø80 x 133



| LUMILEDS LED CRI>80 | | | |
|---------------------|--------|-------|-----------|
| Wattage | Lumen | CCT | BeamAngle |
| 15W | 1000lm | 2700K | 13° |
| | | 3000K | |
| | | 4000K | |
| | | 5000K | |

RAILSPOT100

Adjustable.
 Completed with Lumileds replaceable led module.
 Remote led driver.
 Dimension in mm : Ø100 x 139



| LUMILEDS LED CRI>80 | | | |
|---------------------|--------|-------|-----------|
| Wattage | Lumen | CCT | BeamAngle |
| 10W | 1000lm | 2700K | 27° |
| 13W | 1400lm | 3000K | 37° |
| 18W | 2000lm | 4000K | |
| 29W | 3000lm | 5000K | |



