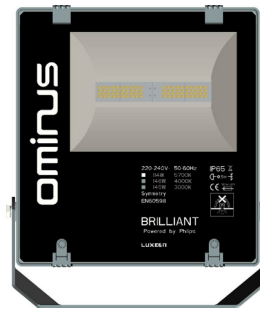


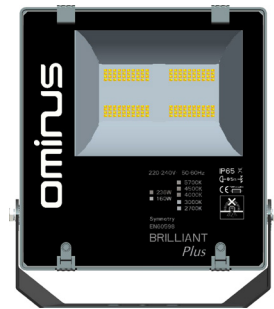
IP65 ADJ.   LED DIM 



BRILLIANT
JUNIOR



BRILLIANT



BRILLIANT
PLUS



Passive temperature management via heatsinks and the fixture body

Tempered clear glass cover

Adjustable die cast aluminium mounting bracket

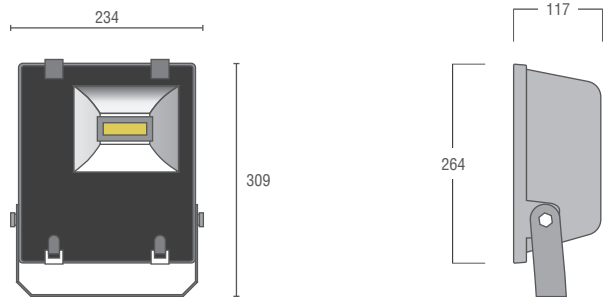


Adjustable high power floodlight
Mounting method : bracket mounted
Material : die cast aluminium housing
Standard finishes : matt white / matt black / aluminium
IP Rating : IP65
Customized RAL upon request.
Dimmable driver available upon request.

Ideal for lighting to emphasize architectural details.
Application areas: Area lighting, Facade lighting, Sport lighting, Advertising billboard lighting, basketball court, ice skating arena.

BRILLIANT JUNIOR

Adjustable.
Completed with Philips led module.
Integrated led driver.
Dimension in mm : 309 x 234 x 117



PHILIPS LED CRI>70

Wattage	Lumen	CCT	Beam Angle
60W	6000lm	4000K 5700K	60°

LUMILEDS LED CRI 80

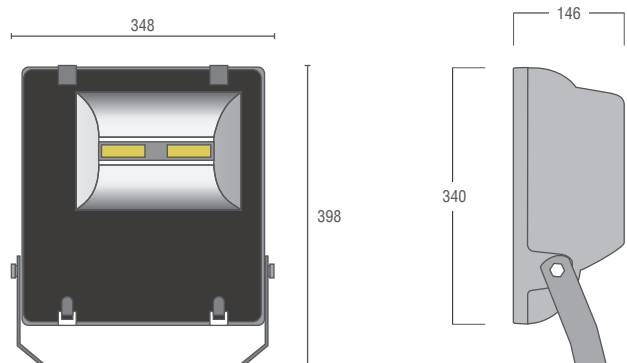
Wattage	Lumen	CCT	Beam Angle
43W	7000lm	2200K	60°
52W	8100lm	2700K	
		3000K	
		5700K	
		6500K	

LUMILEDS LED CRI 90

Wattage	Lumen	CCT	Beam Angle
43W	5600lm	2200K	60°
52W	6500lm	2700K	
		3000K	
		5700K	
		6500K	

BRILLIANT

Adjustable.
Completed with Philips / Lumileds led module.
Integrated led driver.
Dimension in mm : 398 x 348 x 146



PHILIPS LED CRI 70

Wattage	Lumen	CCT	Beam Angle
86W	12000lm	4000K	60°
101W	14000lm	5700K	

LUMILEDS LED CRI 80

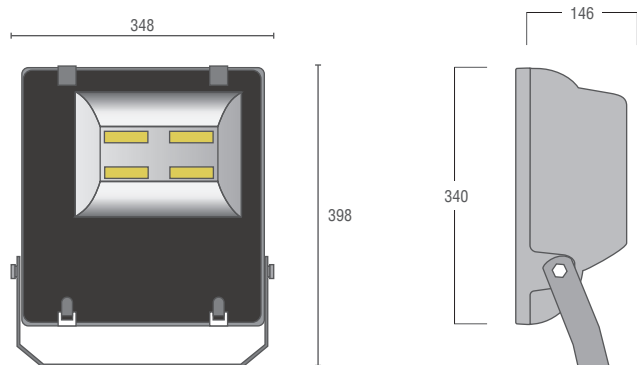
Wattage	Lumen	CCT	Beam Angle
86W	14000lm	2200K	60°
104W	16200lm	2700K	
		3000K	
		5700K	
		6500K	

LUMILEDS LED CRI 90

Wattage	Lumen	CCT	Beam Angle
86W	11200lm	2200K	60°
104W	13000lm	2700K	
		3000K	
		5700K	
		6500K	

BRILLIANT PLUS

Adjustable.
Completed with Philips / Lumileds led module.
Integrated led driver.
Dimension in mm : 398 x 348 x 146



PHILIPS LED CRI 70

Wattage	Lumen	CCT	Beam Angle
172W	24000lm	4000K 5700K	60°

LUMILEDS LED CRI 80

Wattage	Lumen	CCT	Beam Angle
172W	28000lm	2200K	60°
208W	32400lm	2700K	
		3000K	
		5700K	
		6500K	

LUMILEDS LED CRI 90

Wattage	Lumen	CCT	Beam Angle
172W	22400lm	2200K	60°
208W	26000lm	2700K	
		3000K	
		5700K	
		6500K	