

IP20 IP44 ADJ.   LED 0-10V DIM 

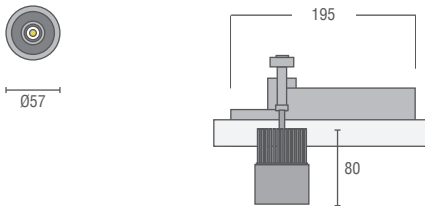


Adjustable Spot light  
 Mounting method : Profile mounted / track mounted  
 Material : die cast aluminium housing  
 Standard finishes : matt white / matt black  
 IP Rating : IP20 / IP44  
 Accessories : clear glass / frosted glass / honeycomb louvre  
 Customized RAL upon request.  
 Dimmable driver available upon request.



## GAP57

Adjustable.  
Completed with Lumileds replaceable led module.  
Remote led driver.  
Dimension in mm : Ø57 x 80

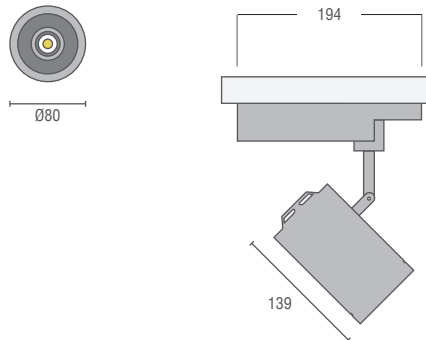


### LUMILEDS LED CRI>80

Wattage	Lumen	CCT	BeamAngle
10W	1000lm	2700K	15°
		3000K	24°
		4000K	38°
		5000K	60°

## GAP80

Adjustable.  
Completed with Lumileds replaceable led module.  
Remote led driver.  
Dimension in mm : Ø80 x 139

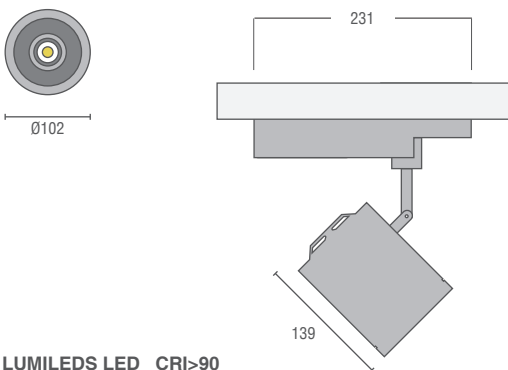


### LUMILEDS LED CRI>80

Wattage	Lumen	CCT	BeamAngle
10W	1000lm	2700K	15°
13W	1400lm	3000K	24°
18W	2000lm	4000K	38°
		5000K	60°

## GAP102

Adjustable.  
Completed with Lumileds replaceable led module.  
Remote led driver.  
Dimension in mm : Ø102 x 139



### LUMILEDS LED CRI>90

Wattage	Lumen	CCT	BeamAngle
10W	1000lm	2700K	27°
13W	1400lm	3000K	37°
18W	2000lm	4000K	
29W	3000lm	5000K	