



IP44  LED 0-10V 



Pendant mounted



Highbay LED downlight  
 Mounting method : ceiling mounted / pendant mounted  
 Material : extruded aluminium housing and heatsink with aluminium reflector  
 Standard finishes : aluminium  
 IP Rating : IP44  
 Customized RAL upon request.  
 Dimmable driver available upon request.



## ATRIUM JUNIOR

Non-adjustable.  
 Completed with Bridgelux led module.  
 Integrated led driver.  
 Dimension in mm : Ø424 x 466

### BRIDGELUX LED CRI>70

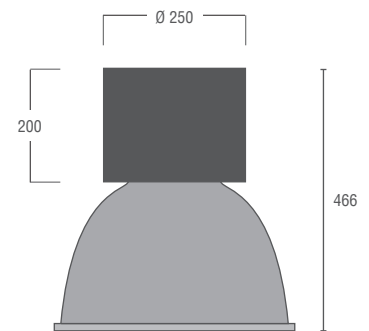
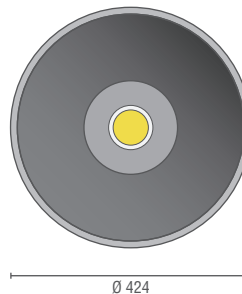
Wattage	Lumen	CCT	Beam Angle
60W	6000lm	5000K	45°

### BRIDGELUX LED CRI>80

Wattage	Lumen	CCT	Beam Angle
60W	6000lm	2700K 3000K	45°
60W	6000lm	3500K 4000K	45°

### BRIDGELUX LED CRI>90

Wattage	Lumen	CCT	Beam Angle
60W	6000lm	2700K 3000K	45°

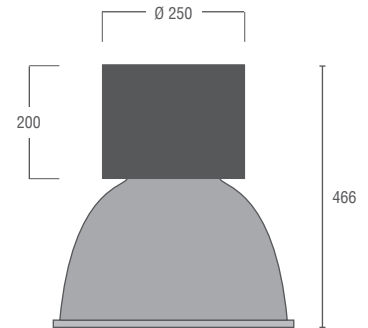
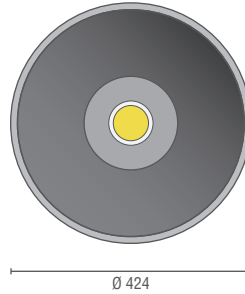


## ATRIUM

Non-adjustable.  
Completed with Philips led module.  
Integrated led driver.  
Dimension in mm : Ø424 x 466

### PHILIPS LED CRI>70 / CRI>80

Wattage	Lumen	CCT	Beam Angle
120W	12000lm	2700K	45°
140W	14000lm	3000K	
		4000K	
		5700K	



## ATRIUM PLUS

Non-adjustable.  
Completed with Lumileds led module.  
Integrated led driver.  
Dimension in mm : Ø424 x 537

### LUMILEDS LED CRI 70-80

Wattage	Lumen	CCT	Beam Angle
140W	24000lm	4000K	45°
220W	32000lm	4400K	
		5000K	

